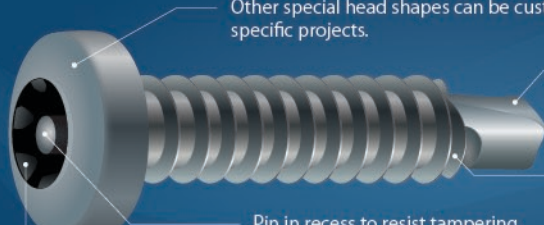


RESYTORK PAN HEAD SELF DRILLING SCREWS



Domed pan head shape has excellent visual effect and safety benefits. Other special head shapes can be custom manufactured to suit specific projects.


Sharp self-drilling tip for accurate locating and effective pre-drilling maximizes work efficiency and reduces down time.

Sharp self-tapping thread precision manufactured in 410 Stainless steel and galvanised plated version.

Pin in recess to resist tampering.

6 Lobe high torque drive with chamfer to assist driver tool insertion.

LEVEL 1:
Basic Security



Can be installed and removed with the following tools:

- Insert Bit
- Key Wrench
- Screwdriver

See page 134 - For more details on Driver Tools



PART NO.	LENGTH	DRIVE SIZE	HEAD DIA	HEAD HEIGHT	MATERIAL	\$/100
RTPSD6C	3/8" (9.5mm)	T15	6.7mm	2.3mm	410 S/S	\$109.38
RTPSD6D	1/2" (13mm)	T15	6.7mm	2.3mm	410 S/S	\$114.84



● = Galvanised

PART NO.	LENGTH	DRIVE SIZE	HEAD DIA	HEAD HEIGHT	MATERIAL	\$/100
RTPSD8D	1/2" (13mm)	T20	8mm	2.9mm	410 S/S	\$128.00
RTPSD8D-G	1/2" (13mm)	T20	7.9mm	2.9mm	Galvanised	\$127.20
RTPSD8F	3/4" (19mm)	T20	8mm	2.9mm	410 S/S	\$130.00
RTPSD8G	1" (25mm)	T20	8mm	2.9mm	410 S/S	\$132.00
RTPSD8G-G	1" (25mm)	T20	7.9mm	2.9mm	Galvanised	\$136.80
RTPSD8H	1 1/4" (32mm)	T20	8mm	2.9mm	410 S/S	\$136.00
RTPSD8I	1 1/2" (38mm)	T20	8mm	2.9mm	410 S/S	\$169.00
RTPSD8I-G	1 1/2" (38mm)	T20	7.9mm	2.9mm	Galvanised	\$153.60

Warning: Please be aware 410 stainless is a martensitic stainless and contains high level of carbon in its chemical composition. This results in 410 Stainless having a corrosion rating similar to zinc plated fasteners. Not Recommended for use outdoors.

We can supply broken packs; just add 20% to the price.